



★ **Installation
Guide**

Summersville, West Virginia

Corrugated Panel

Includes:

Corrugated Panel

Corrugated Trim Profiles

Corrugated Trim Installation Guide



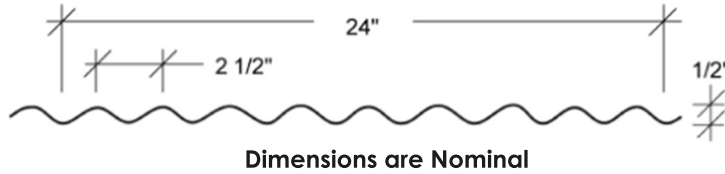
Table of Contents

Corrugated Panel Profile, Colors Available, Additional Accessories.....	2
Corrugated Panel Installation Guide.....	3,4
Corrugated Panel Trim Installation Guide:	
One Piece Soffit.....	5
Fascia Eave Trim.....	5
Gable Trim.....	5
Sidewall Flashing.....	6
Ridge Cap.....	6
W- Valley.....	6
End Wall Flashing.....	7
Outside Corner.....	7
Inside Corner.....	7
Overhead Door Trim.....	7
Drip Cap.....	8
Shingle Style Drip Edge.....	8
Gambrel - Notched.....	8
Transition - Notched.....	8
Door Opening Trim.....	8
Rat Guard.....	9
Zee Trim.....	9
J Channel.....	9
Square Base Trim.....	10
F & J Trim.....	10
3-1/2", 6", or 8" Fascia.....	10
National Track Cover.....	10
Cannonball Track Cover.....	11
Cannonball Double Track Cover.....	11
Sky Light or Chimney Details.....	11

Corrugated Panel

Custom Length Steel Roofing and Siding Sheets

2' wide coverage with ribs 1 1/4" on center, in lengths 3' through 22' max.



Standard 29GA Stock Colors Available – Energy Star

- | | | |
|-------------------|-------------------|----------------|
| ★ Light Stone | ★ Brown | ★ Ash Gray |
| ★ Barn Red | ★ Burnished Slate | ★ Charcoal |
| ★ Crimson | ★ Black | ★ Sky Blue |
| ★ White | ★ Burgundy | ★ Gallery Blue |
| ★ Terra Cotta Red | ★ Forest Green | ★ Tan |
| ★ Copper Penny | | ★ Clay |

Also available in Acrylic Coated Galvalume (Acrylume)

Additional Accessories Available

Stock Items

Solar Seal Color Matching Sealant
 Butyl Tape - 3/32" x 1/2" x 40
 A-10 Foam Sealant Tape
 Compressed Roll - 1" x 1" x 20'
 Profile Vent
 Inside Closure Strips (Bottom)
 Outside Closure Strips (Top)
 Roof Boots
 Touch-up Paint
 Clear Snow Guards
 Polycarbonate Panels - 12' Clear

Metal to Wood Screws
 with Washers - 1", 1/2", 2",
 2 1/2", 3"
 Ultimate Life Long Screws 1/2" 2"
 Self Driller Stitch Screws
 with Washers - 7/8"
 Single Foil Bubble Wrap
 48" x 125'

 Titanium Roofing Underlayment

Special Order Items

Self Driller Screws with Washers - 1",
 1 1/4", 1/2", 2"
 Painted Stainless Steel Snow Guards
 Performance Star Insulation EPS



Corrugated Panel Installation Guide

Handling

When unloading bundles of Corrugated Panels extreme care should be used. Forklifts can dent or puncture bottom of sheets. Bundles may also bend or stretch

in the middle if they are too long for forklift unloading. The panel edges must be protected during unloading and handling to assure good fitting laps.

Cutting

Any cutting and trimming necessary should be done with a steel cutting blade, Carborundum blade, profile shear, or nibbler. **Always cut panels with the exterior side down.** Avoid any sparks

or hot particles to the panel finish which could cause pitting and red rust. Sheets can have sharp edges, always wear eye and hand protection.

Storage

Store Corrugated panels in a dry place. Fan panels out to let air circulate. Stack off the ground on an incline to allow for any moisture run off. Panels should never be stored outside for more than a short period of time and should never be covered with

plastic which allows condensation to occur. Any moisture trapped between sheets can cause superficial staining or lifting of the finish, considerably reducing the life of the paint. Failure to comply with the above recommendations voids any warranties.

Installation

Roof: Begin laying the roofing panels on the end of the building away from the prevailing wind so the side lap seams shall face away from the prevailing wind-driven rain. The first panel determines the alignment of all remaining panels on the roof, so **extreme care should be taken** to accurately square the first sheet. The over-lapping rib edge should be flush with the edge of the roof, and the panel should overhang the eave approximately three inches to provide for a drip edge. The side rib with the drain channel should face the direction in which the sheets are being laid down. When the panel is positioned, it should be fastened through the first rib, top and bottom. The panel should be attached completely before starting the next panel.

A tip for assuring straight alignment for successive rows of panels is to stretch chalk lines between nails driven into the ridge and end of each edge rafter. These lines will serve as guidelines to align panels.

If roof requires more than one horizontal row of panels, temporarily fasten at two points, not the ends, along main middle ribs of Panel #1 in lower corner. Next, install Panel #2 above

and end lapping over Panel #1. Align both panels with chalk line. Install Panel #3 next to Panel #1, side lapping. Install Panel #4 above Panel #3 side lapping over Panel #2 and end lapping over Panel #3. Temporarily fasten all panels. Check alignment at ridge and eave. Permanently fasten when all panels are in line. Refer to Figure "I".

Corrugated Panel requires at least a 3/12 pitch with an 8" end lap when using more than one panel in a row.

Sidewalls: Do not run siding all the way to the ground. Panels should lap at least 3" over splash board but not come in permanent contact with soil. The first siding panel must be plumb to assure straight alignment of the entire row of panels. Temporarily a wooden 1 x 2 or a steel rat guard can be used for a guideline about 3" below the top of the base-board. **Panels should not come into direct contact with ACQ, CA, and ACZA treated wood products.** A vapor barrier such as ice and water shield and stainless steel fasteners should be used where any of these treated wood products meets the steel. Recommendations should be obtained from the treated lumber supplier.

Prevailing Winds

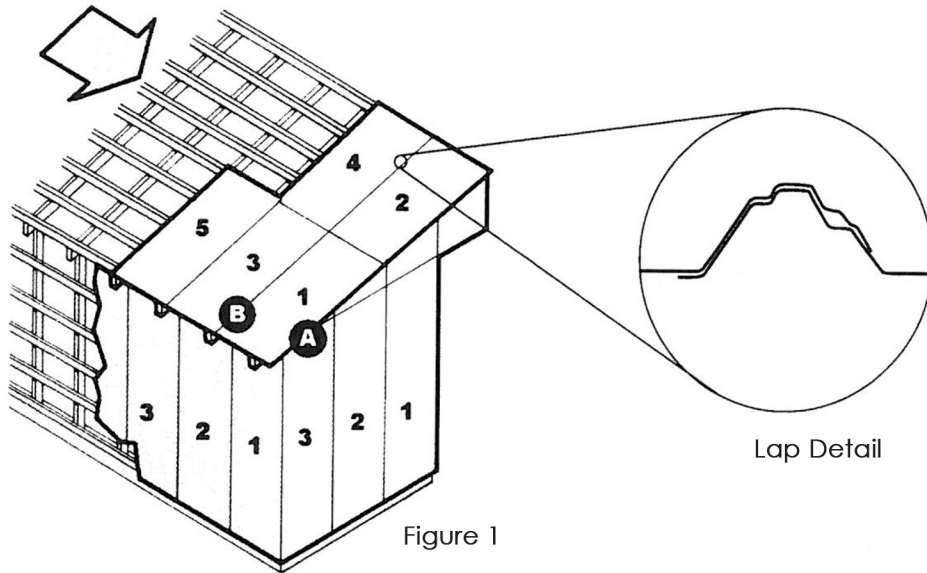


Figure 1

Fastening

Nails:

Roof-2" Galvanized ring shank nails with a neoprene gasket should be driven through the top of each major rib, as in Drawing #2, taking care not to overdrive. The washer should be compressed securely against the metal.

Sidewalls -1-1/2" nails should be driven through the flat next to each major rib as in Drawing #3.

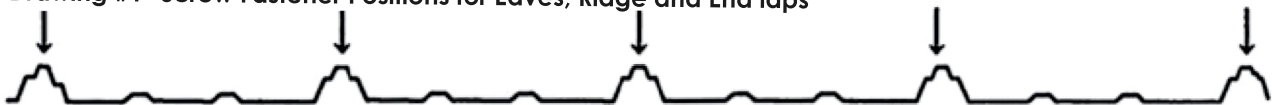
Screws:

When using plated self-drilling wood screws with combination metal and neoprene washer, at least 1" penetration should be attained. Fasten in flat along each major rib on both roofing and siding as in Drawing #3 making sure the washer is secure.

NOTE: Stainless steel screws should be used when fastening to ACQ, CA, or ACZA treated wood products. Recommendations should be obtained from the treated lumber supplier.



Drawing #1- Screw Fastener Positions for Eaves, Ridge and End laps

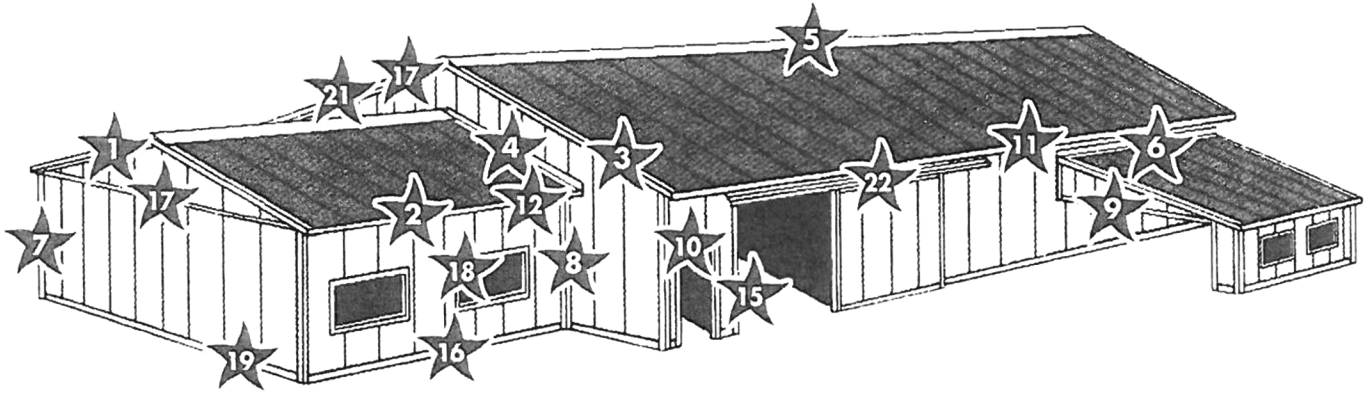


Drawing #2-Nail Fastener Positions

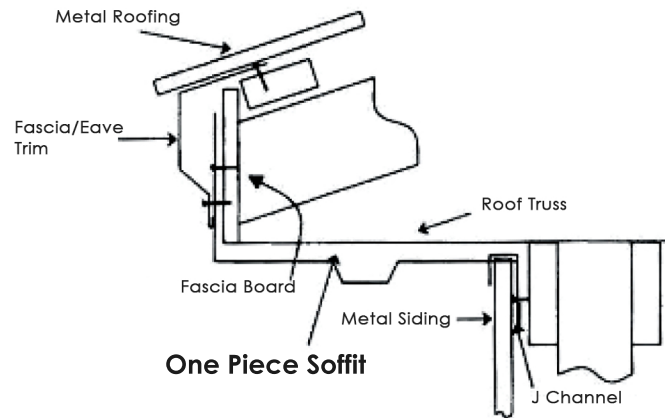
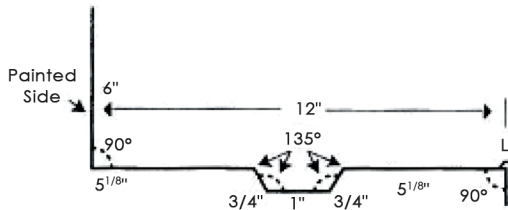


Drawing #3 - Screw Fastener Positions for Intermediate Supports

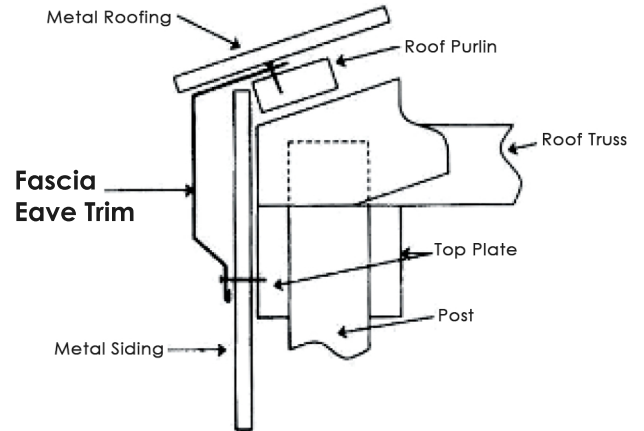
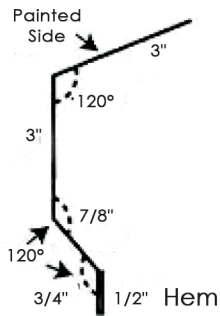
CORRECT	TOO LOOSE	TOO TIGHT



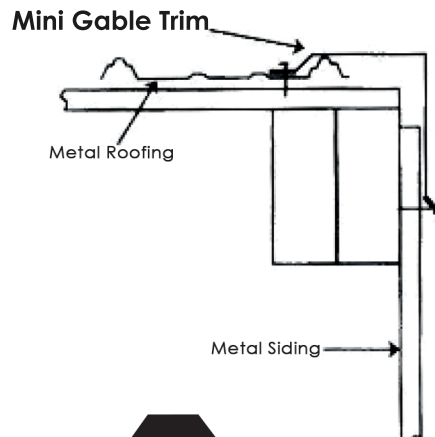
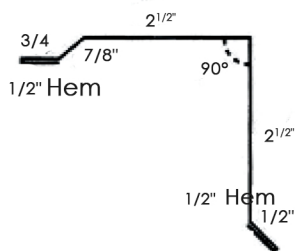
★ One Piece Soffit
Length: 10'



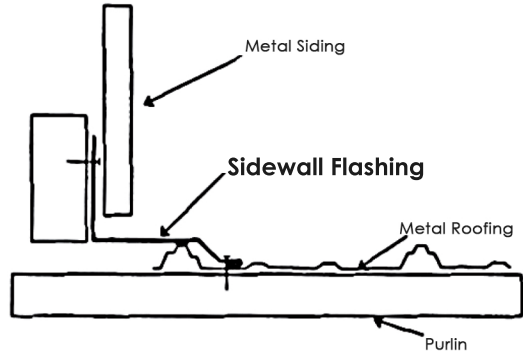
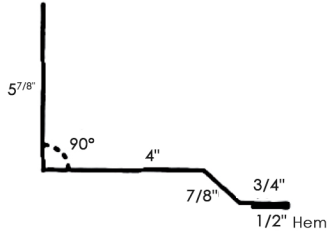
★ Fascia Eave Trim
Length: 10'



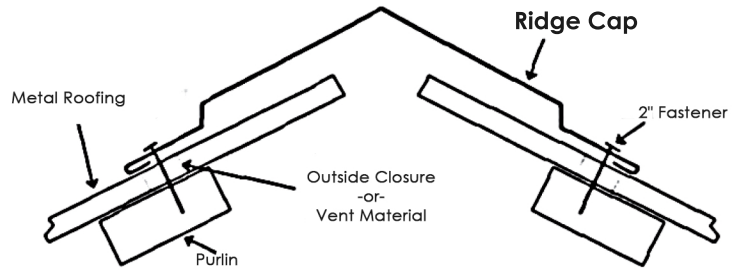
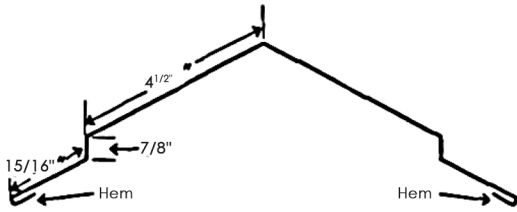
★ Mini Gable Trim
Length: 10', 12', 14', 16'



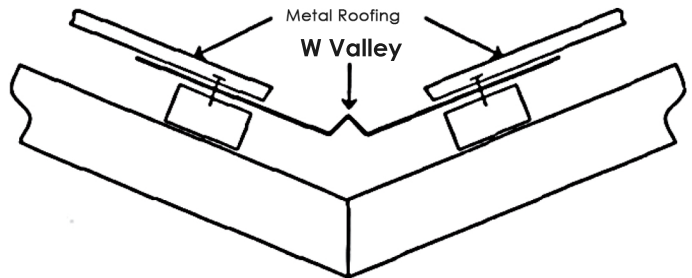
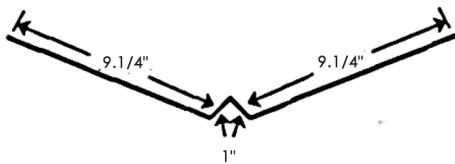
★ 4 Sidewall flashing
Length: 10'



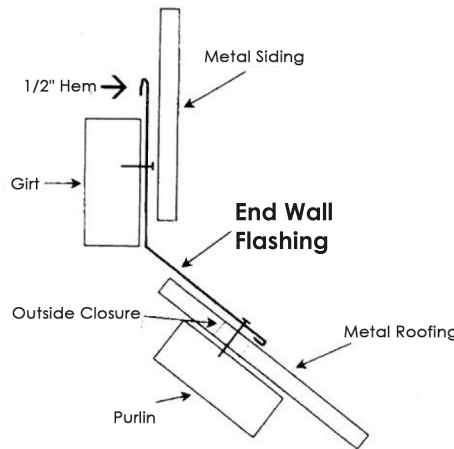
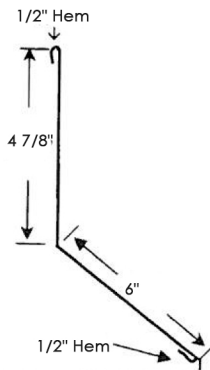
★ 5 Ridge Cap, 13" Wide
Length: 10'6"



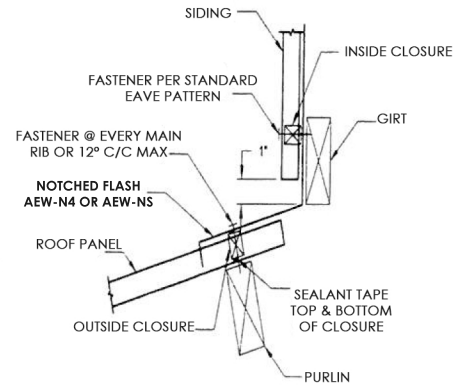
★ 6 W Valley Trim
Length: 10'



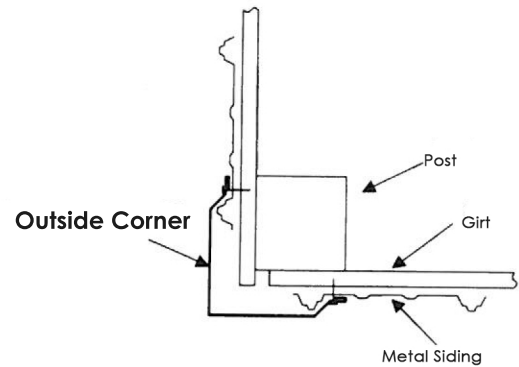
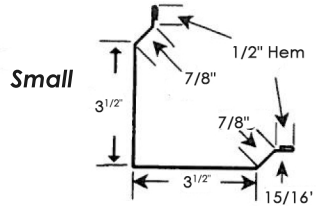
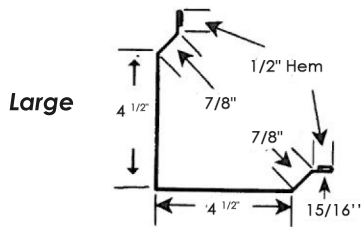
7 End Wall Flashing
Length: 10'



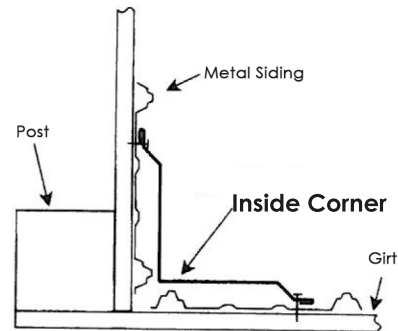
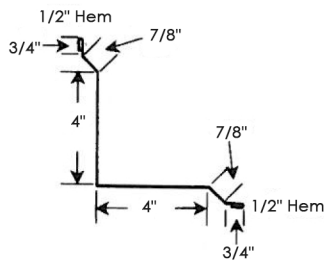
ENDWALL - NOTCHED



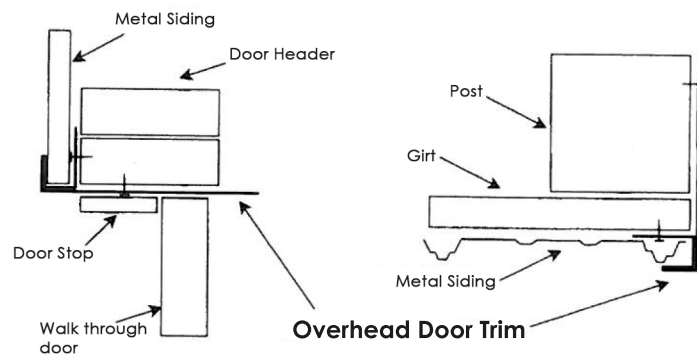
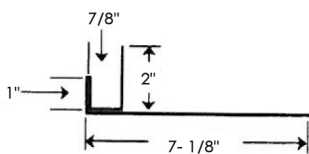
8 Rake & Corner (Lg & Sm)
Length: 10', 12', 14', 16'



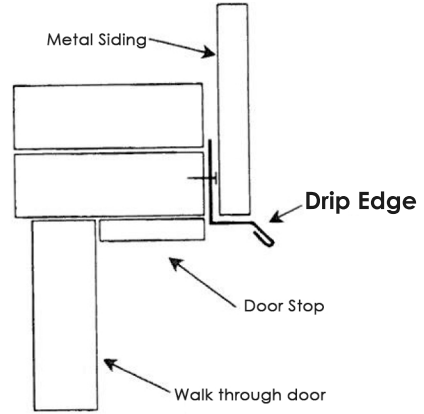
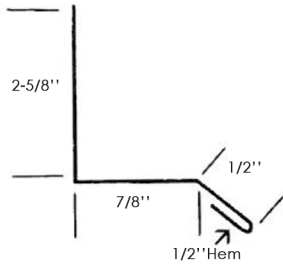
9 Inside Corner
Length: 10'



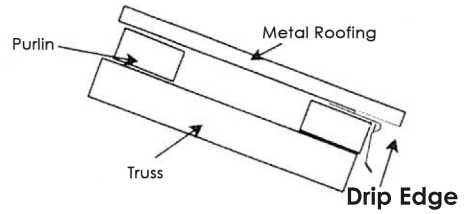
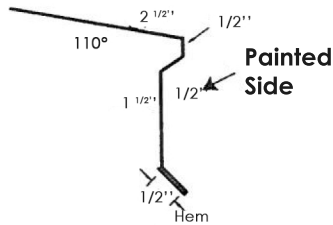
10 Overhead Door Trim
Length: 10'



11 Drip Cap
Length: 10'

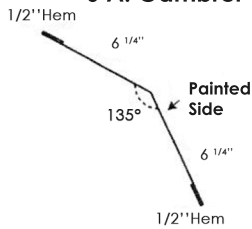


12 Drip Edge
Length: 10'

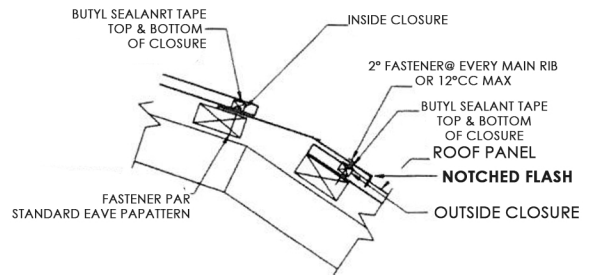
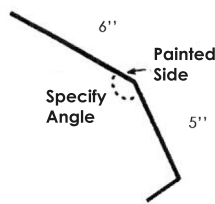


13 Gambrel - Notched
6A & 6B

6 A. Gambrel

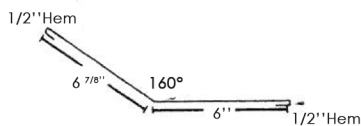


6 B. Notched Gambrel

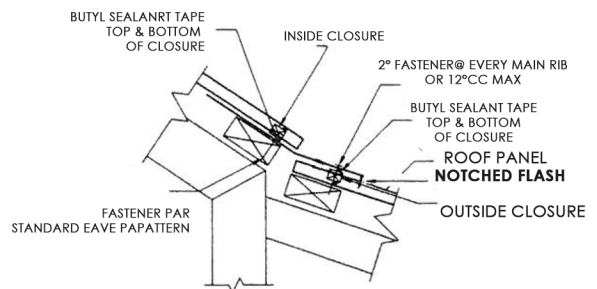
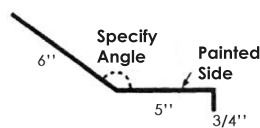


14 Transition - Notched
11A & 11B

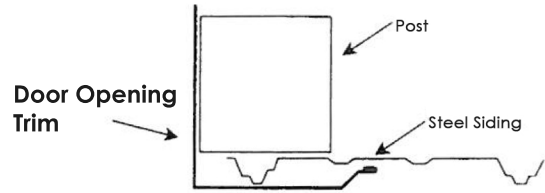
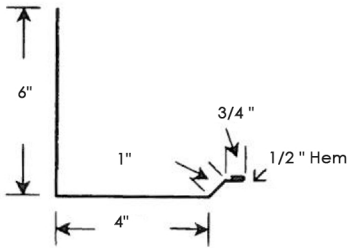
11 A. Transition



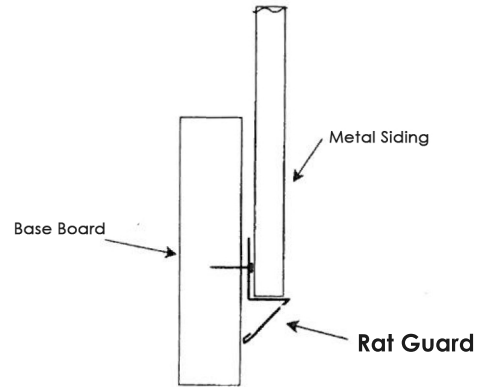
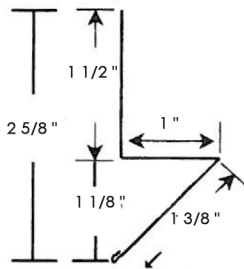
11 B. Transition



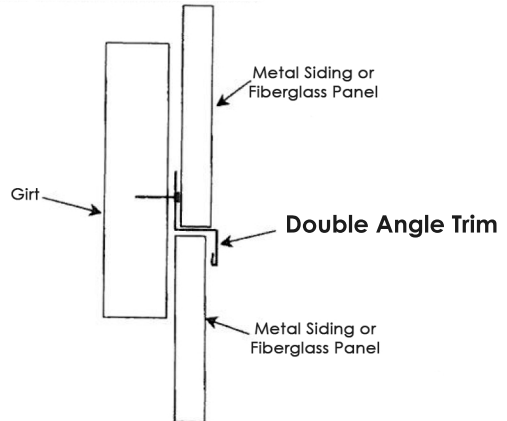
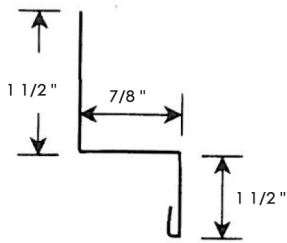
15 Door Opening Trim
Length: 10'



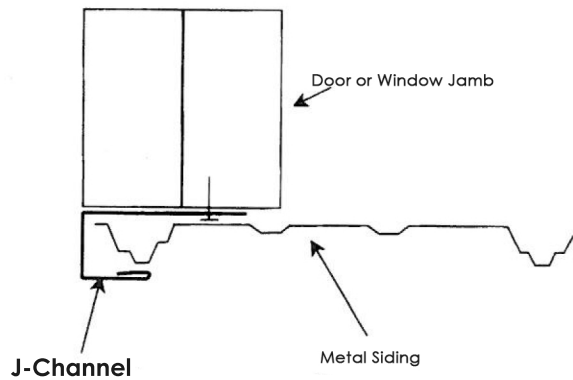
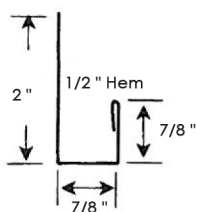
16 Rat Guard
Length: 10'



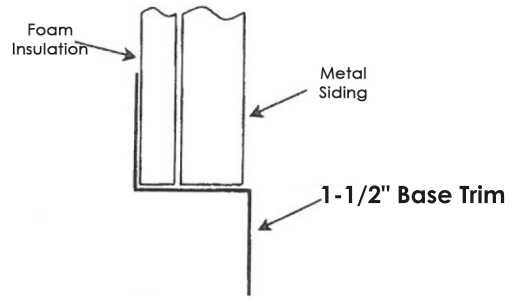
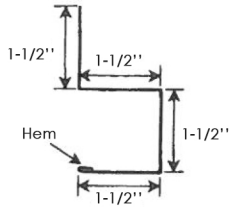
17 Double Angle
Length: 10'



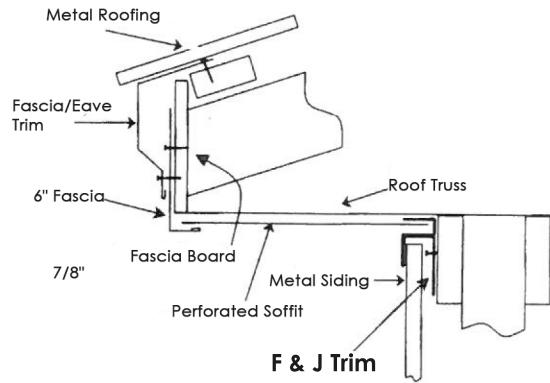
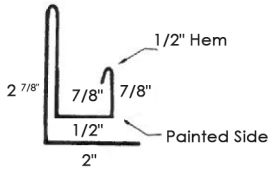
18 J Channel
Length: 10'



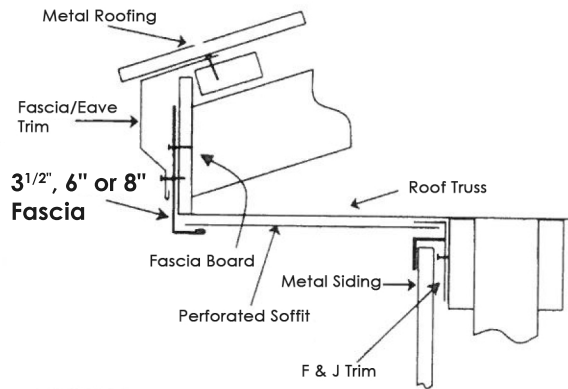
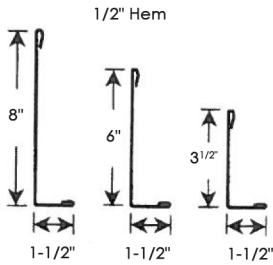
19 Square Base Trim
Length: 10'



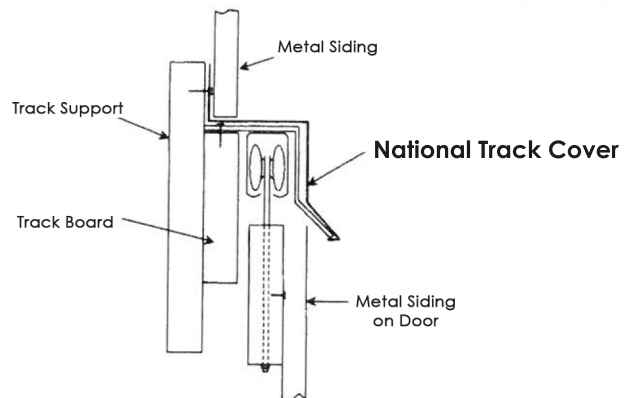
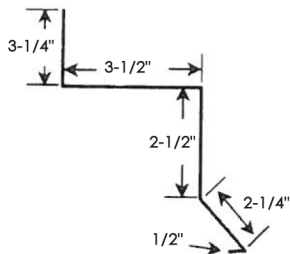
20 F & J Trim
Length: 10'



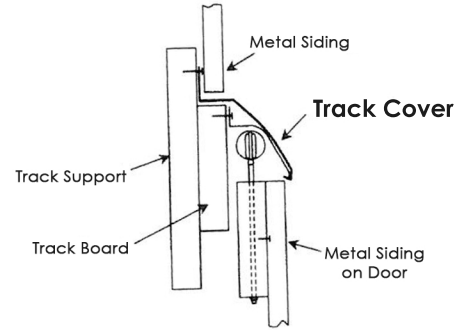
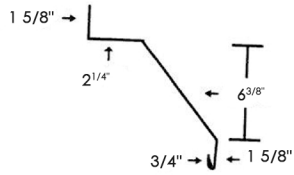
21 3-1/2 inch, 6 inch, or 8 inch Fascia
Length: 10'



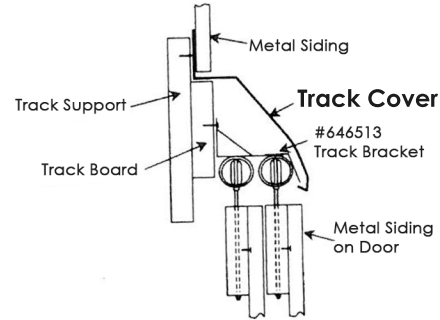
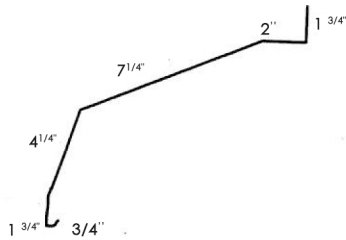
22 National Track Cover
Length: 10'



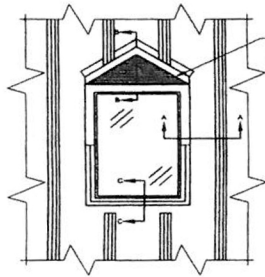
23 Cannonball Track Cover
Length: 10'



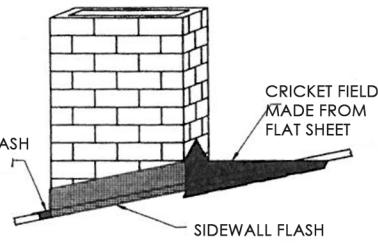
24 Cannonball Double Track Cover
Length: 10'



SKYLIGHT or CHIMNEY DETAILS



CRICKET FIELD FORMED (SEE BELOW)



CRICKET FIELD MADE FROM FLAT SHEET

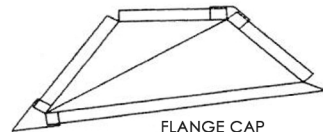
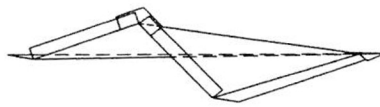
ENDWALL FLASH

SIDEWALL FLASH

NOTE: SEE PAGE 40 FOR CROSS SECTIONS A-A, B-B, C-C

For optimum weathertightness, use ice and water shield or similar around penetrations.

CRICKET FIELD FORMING

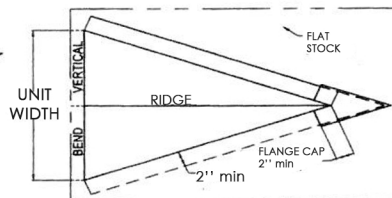


FLANGE CAP 2" min

VERTICAL FLANG 2" min

OVERALL HEIGHT TO BE M/DWAY PLUS ON HEAD JAMB

2" min



FLAT STOCK

RIDGE

FLANGE CAP 2" min

2" min

2" min

UNIT WIDTH



SPECIAL INSTALLATION AND MAINTENANCE INSTRUCTIONS

Roofing and Siding

Start vertically at the end of the building for both roofing and siding, opposite from the direction of prevailing wind. Girt spacing should not exceed 36 inches for normal sidewall application. Purlin spacing should not exceed 24 inches for normal application with a slope of 3 inches per foot of run or more. A slope of 4 inches per foot of run is recommended for large buildings.

NOTE: Some panels are not recommended for use over open framing. Consult your dealer for product compatibility with your application.

End Lapping

Pitch rise per foot of run	Lap Length	Maximum Run Length
3 in.	12 in.	15 Ft.
4 in.	9 in.	33 Ft.
5-6 in.	6 in.	55 Ft.

No end lap should be less than 6 inches.

For complete weather proofing, caulk all end laps, regardless of pitch. End laps should be caulked at the end of both top and bottom sheets. The maximum recommended run is 55 feet.

Nailing

For best results use 1-3/4 in. galvanized steel ring or screw shank nails with neoprene washers. Select nail lengths for roofing and siding that do not go completely through purlins and girts. Do not overdrive so as to dimple or distort panels. On average, estimate one pound of nails per square of roofing or siding.

Using Drill Screws

Use 1 in. screw fasteners in the flat area of the panel at 9 in. repeats. Do not overdrive so as to dimple or distort panels. If purlins are placed more than 24 inches apart, stitching screws are recommended on the lapping rib between the purlins. On average, estimate 85 screw fasteners per square of roofing or siding.

Cutting

Roofing and siding panels should be cut from the bottom, the flatter side. A power saw, nibbler, snips, or profile shears may be used. Metal filings from cutting will create rust and cause flaws in appearance. Be careful to clear all surfaces from any such filings.

Storage

Store panels in a dry area, unbundled and standing on end against a flat support structure. If outside, cover with canvas or waterproof paper. Allow for air circulation.

Application Precautions

Avoid installing directly over green or damp lumber, porous insulation, or other damaging materials. The use of a moisture barrier is recommended. Avoid storage or application near strong chemicals such as fertilizer, manure, some soils and lime, which may cause damage.

Providing 4-Star Service:
Quality products
Accurate order handling
Fast, reliable delivery
Competitive pricing



845 Peerless Road
Summersville WV 26651
304-872-4451



Providing 4-Star Service:

- ★ Quality products
- ★ Accurate order handling
- ★ Fast, reliable delivery
- ★ Competitive pricing

Summersville, West Virginia

845 Peerless Road
Summersville, WV 26651

Phone: 304-872-4451

Toll Free: 866-255-5474

Fax: 304-872-5263